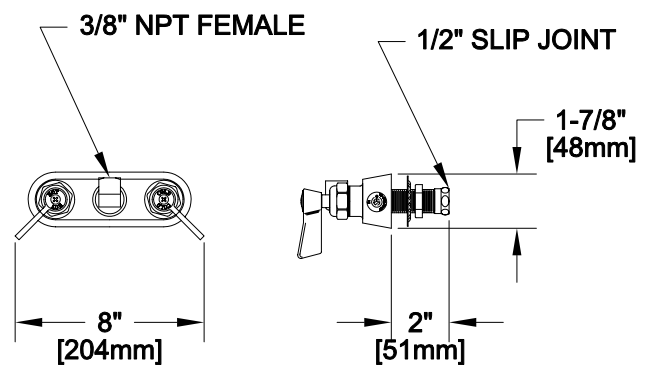


APPLICATION:
 JOB NAME:
 QUANTITY: ITEM NO.

PRODUCT NAME:
 4" BACKSPASH CONTROL VALVE
 RIGID OUTLET
 SPECIAL CONFIGURATION
 CHECK BASE MODEL AND OPTIONS

MODEL:
 2600
 OPTIONS OR MODIFICATIONS:
 OTHER _____



FEATURES
 CONTROL VALVE
 * 4" BACKSPASH
 * SWIVELLING SEAT DISKS
 * HOT SIDE STEM - LEFT HAND
 * COLD SIDE STEM - RIGHT HAND
 * STAINLESS STEEL SEATS
 * STAINLESS STEEL SEAT SCREWS
 * STAINLESS STEEL HANDLE SCREWS
 SHIPPING WEIGHT
 * 3.25 LBS

ROUGH-IN:

